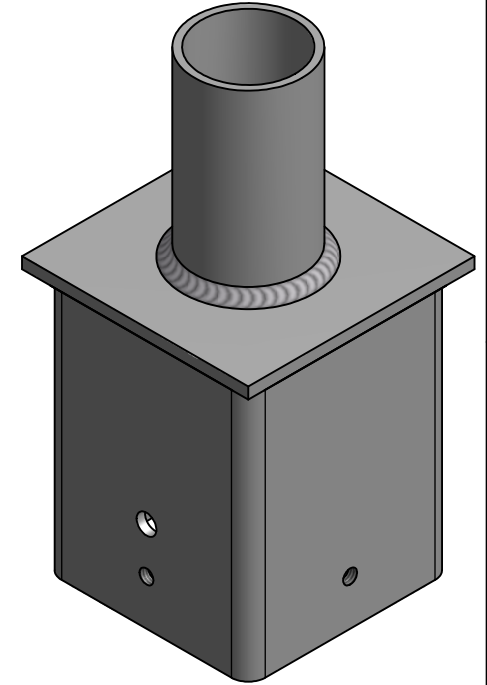
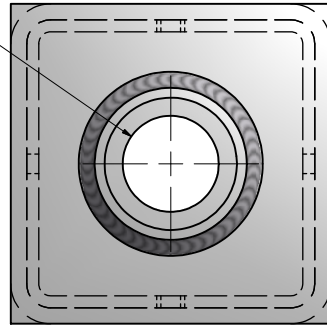
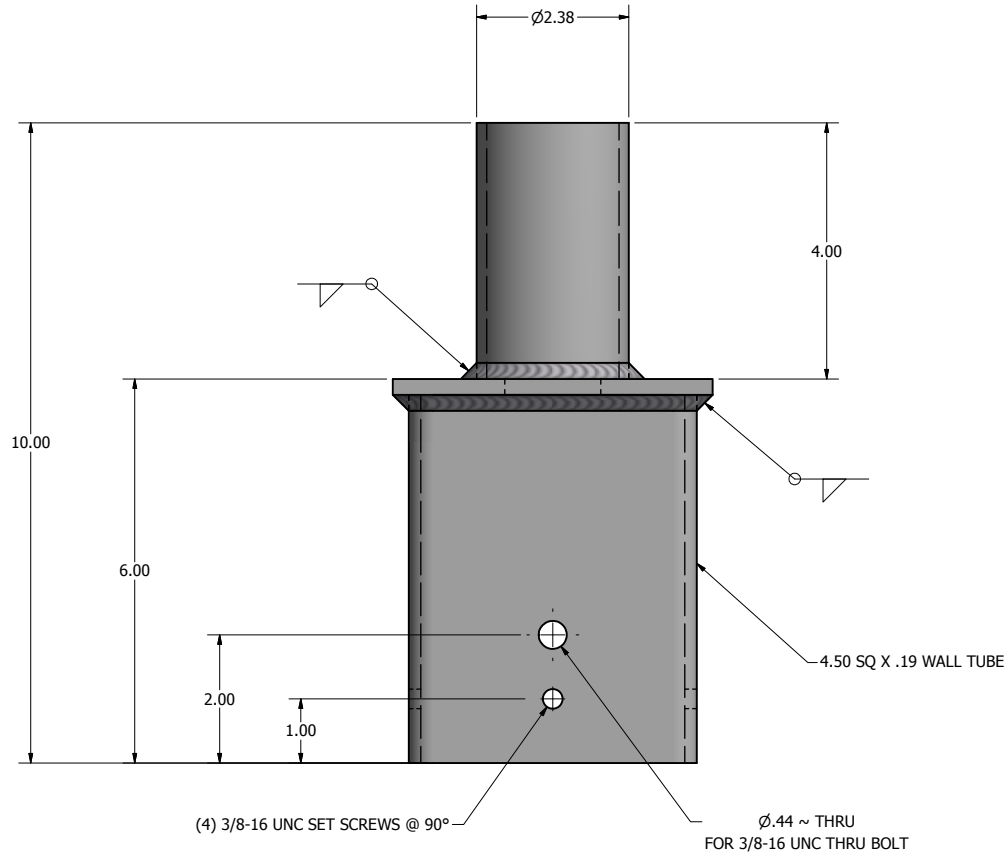


WIRE ACCESS HOLE



PTR-4SQ-T2-STD


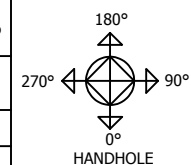


TENON OPTIONS

- T2- Ø2.38 OD X 4.00 LG
- T3- Ø3.00 OD X 5.00 LG
- T4- Ø4.00 OD X 6.00 LG

NOTE: OTHER TENON SIZES AVAILABLE UPON REQUEST, CONTACT FACTORY FOR ADDITIONAL SIZES.

FINISH: BRACKET TO BE STANDARD POLYESTER POWDER COAT FINISH.

 <p>P.O. Box 340 Eastpointe, MI 48021 P: (586) 771-4610 F: (586) 771-5527 www.lytepoles.com a DWM company</p>	DRAWN: M. HARVALA	2/16/2015	<p>SOME GEOGRAPHICAL AREAS HAVE SPECIAL WIND CONDITIONS THAT CAN CREATE WIND INDUCED VIBRATIONS CAUSING A FATIGUE PROBLEM. NO METHOD HAS YET BEEN FOUND FOR PREDICTING DESTRUCTIVE LIGHTING POLE VIBRATION. THESE CONDITIONS ARE UNIQUE AND CANNOT BE GUARANTEED AGAINST, AND ARE THE RESPONSIBILITY OF A LOCAL SITE ENGINEER.</p> <p>TITLE:</p> <p>CATALOG:</p> <p>DWG NO: PTR-4SQ-T2-STD</p> <p>SIZE C</p> <p>SHEET 1 OF 1</p>	 <p>HANDHOLE</p>
	CHECKED:	DATE:		
	REVISION:	DATE:		
	APPROVED:			
	QUOTE:			
	S.O.#			
REF:	SCALE: NONE			